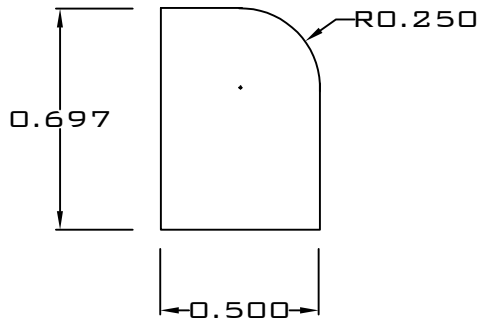
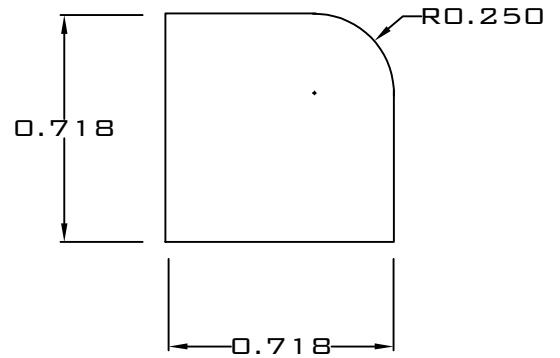


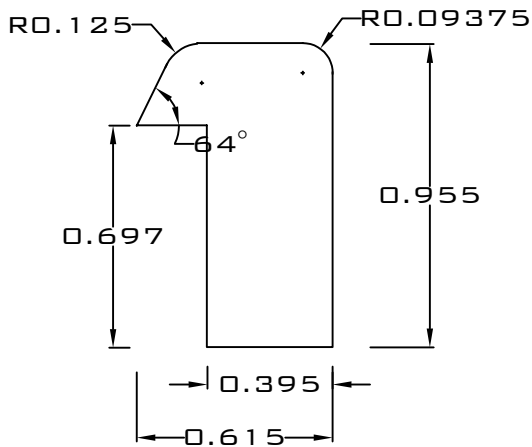
STANDARD
FLUSH
MOLDING



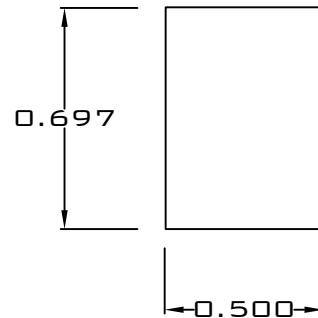
HEAVY DUTY
FLUSH
MOLDING



STANDARD
LIP
MOLDING



STANDARD
SQUARE
MOLDING



TOLERANCES = +/- 1/64